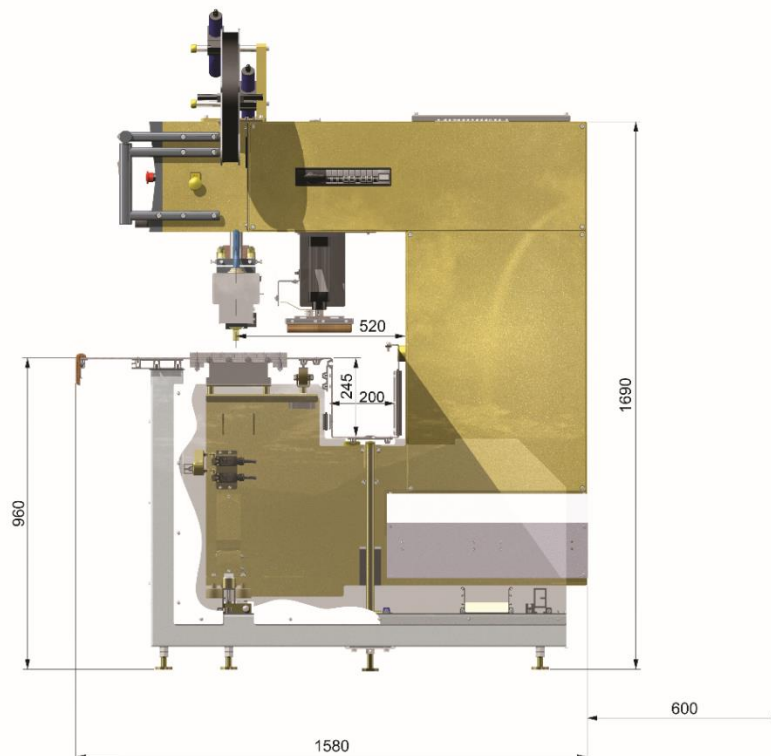


TD 200



TECHNICAL SPECIFICATIONS

Power requirement – free running	0,9 kW
Power requirement – max/hour	2,9 kW
Emitted power HF maximum on electrode	5 kW
Main fuse – type D	32 A
Standard voltage	3 x 400 V 50 Hz/60 Hz + neutral + earth
Working frequency	27,12 MHz \pm 0,6 %
Transmitting tube - type	ITL 5-1
Transmitting tube - cooling	Air-cooled
Flash protection	Thyristor controlled
Pressure	Max. 1400 kg at min. 7 bar / 101 psi
Maximum air consumption - automatic	140 l/min
Daylight (with a 45 mm high electrode)	80 mm
Pneumatic press with automatic pressure protection system	PSK
Weight of the machine (excl. table)	1000 kg
Max. welding surface each working cycle	200 cm ²
Max. weldable electrode width	200 mm
Computer with 12" touch-screen	Forsstrom™ industrially developed, HF-classified computer
Free space behind the electrode	520 mm
Measurement of table and trough	Optional length, H: 960 mm, W: 990 mm Trough 200 x 245 mm
Available accessories	Rolls on table, laser, band holder, remote control, extended day-light, collision protection, impulse welding unit, oil-tempering